



Electronic 680 Refrigerator / Freezer

Model

E442BRX G FP SX 14

Product Code

21565-A



21565-A

PRODUCT

Brand	Fisher & Paykel
Voltage	220-240V 50Hz
Model	E442BRX G FP SX 14
Product Code	21565-A

Fisher & Paykel Appliances Ltd
78 Springs Road, East Tamaki
PO Box 58-732, Greenmount
Auckland, New Zealand
Telephone: 09 273 0600
Facsimile: 09 273 0656

Fisher & Paykel Australia Pty Ltd
A.C.N. 003 335 171
19 Enterprise Street
P O Box 798
Cleveland, Queensland 4163
Telephone: 07 3826 9100
Facsimile: 07 3826 9164

Fisher & Paykel Appliances Ltd U.K
Pheasant Oak Barn,
Hob Lane, Balsall Common
Warwickshire, CV7 7GX
England
Telephone: +44 1676 531 770
Facsimile: +44 1676 531 771

CONTENTS

DOORS.....	6
CABINET COMPONENTS	8
FAN, COVERS AND EVAPORATOR ASSEMBLIES.....	12
DISPLAY MODULE AND DUCT COVERS	14
ACTIVE SMART ST4 TERMINALS PLUGS & SOCKETS.....	16
COMPRESSOR, ANCILLARY COMPONENTS & CONTROL MODULE.....	18
NOTES	22
REFRIGERATION ABBREVIATION KEY	23

GUIDE TO USING THIS MANUAL

The model covered by this manual is listed on the front cover.

The information detailed in this manual is subject to change without notice, the latest version is indicated by the reprint date and replaces any earlier editions.

The front cover picture shows the type of product and may not necessarily be an exact image of the models covered by the manual.

Kit Parts

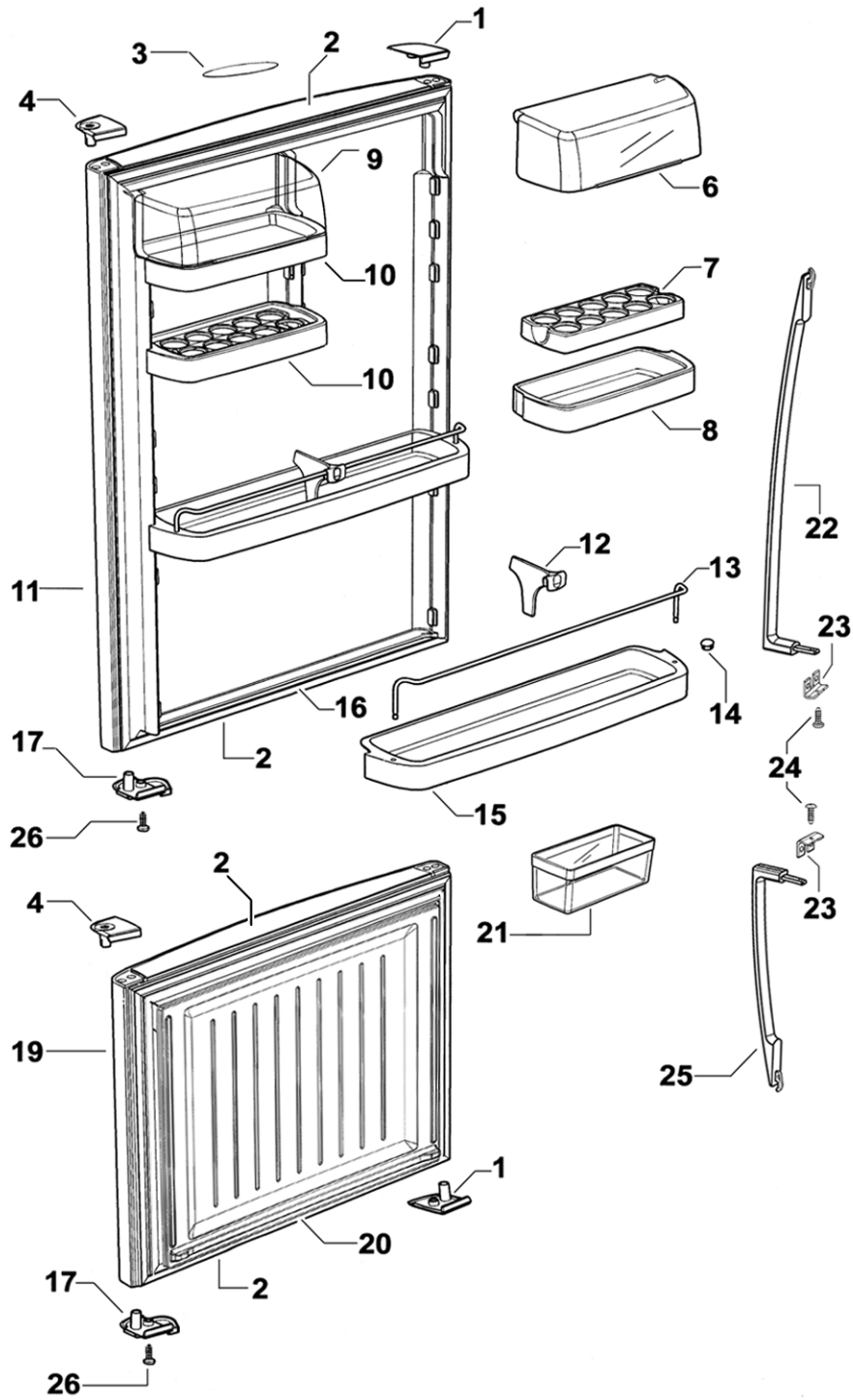
The components shown in *italics with a part number* are those parts in the kit which are available also as separate items. In addition, some parts may be supplied with this kit which are not available as separate items and are therefore either not listed or a part number is not shown against the part description in this manual.

All details relating to Technical Bulletins or Notes are shown on a dedicated page. The Technical Bulletin Number shown relates to the bulletin version which is produced for the Global Service Centres.

Parts List Key

NOT USED	As a part, indicates the diagram part reference is not used in this manual.
#	Beside the part number, indicates the part is no longer available.
<i>italics</i>	Kit components or parts included are shown in <i>italics</i> , refer to above notes: Kit Parts
*	Indicates a Technical Bulletin or note exists for the part or part reference.
NI	As a part reference, indicates the part is not illustrated on the diagram.

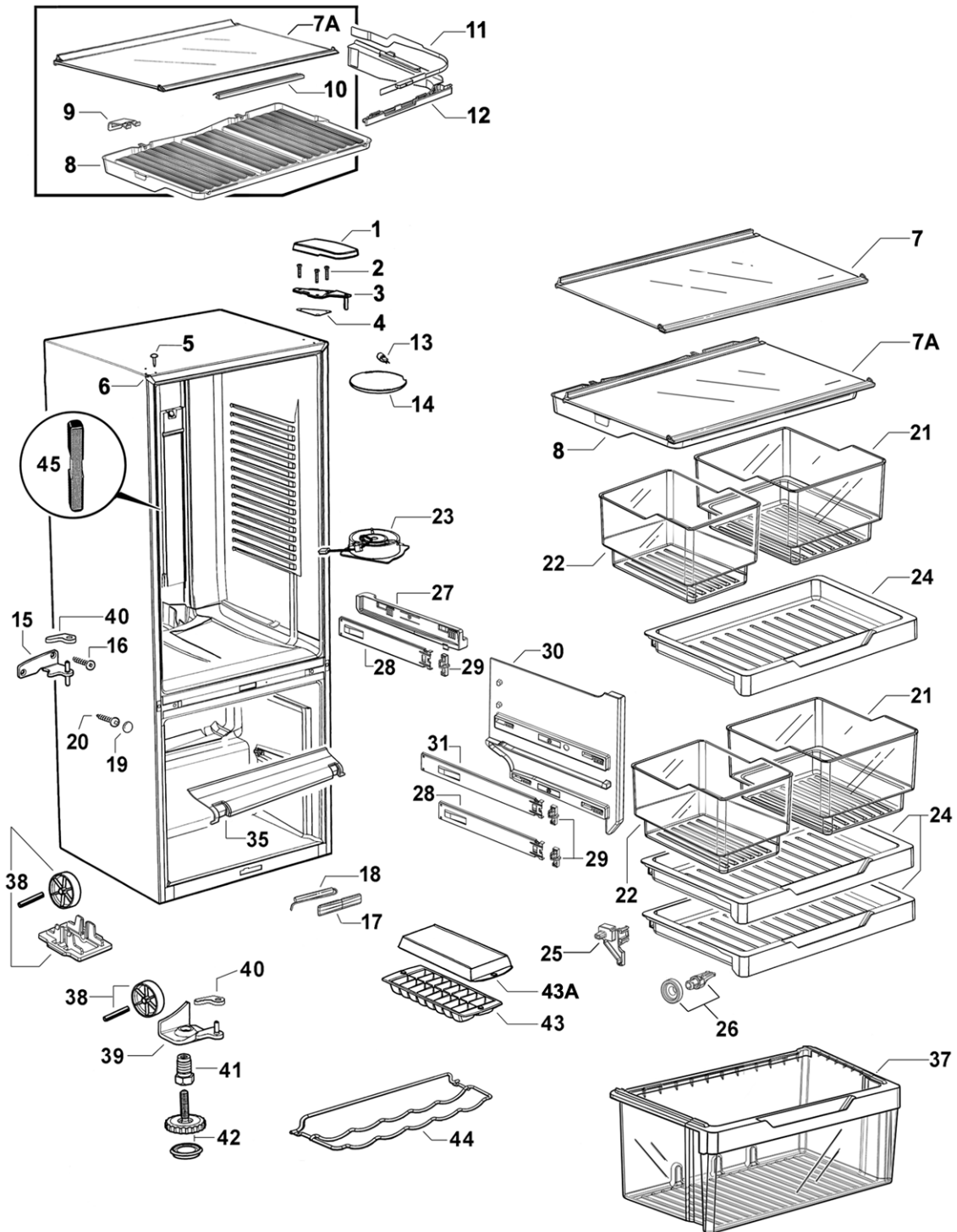
DOORS



DOORS

REF	PART	DESCRIPTION
1	883981	COVER HGE DR RHT/LHB SILVER 680/790
	883982	COVER HGE DR LHT/RHB SILVER 680/790
2	883973	CAP DOOR END OUTER SILVER 680
3	NOT USED	
4	883996	BEARING HINGE RH SILVER 680/790
6	882692	COVER DOOR SHELF 680 RH
7	882671	SHELF EGG RACK 680
8	882689	SHELF DOOR SMALL RH 680
9	882691	COVER DOOR SHELF 680 LH
10	882690	SHELF DOOR SMALL LH 680
11	312148P	DOOR PC SX 680X1030 RH CS E442B
12	883121	DIVIDER BOTTLE RAIL WHITE
13	881356	RAIL BOTTLE SUPPORT SATIN CHROME 680
14	876281	PLUG DOOR SHELF WHITE
15	882688	SHELF DOOR LARGE 680
16	883731P	GASKET ASSY E442B PC LGREY
17	883979	BEARING DR CLOSE RH GREY 680/790
19	312089P	DOOR FC G SZ 680X613 RH
20	883732P	GASKET ASSY E442B/E406B FC LGR
21	871129	BIN EGG/ICE MOULD
22	884570	HANDLE DOOR CURVED LONG
23	881391	PLATE HANDLE SUPPORT PLATED
24	881044P	SCREW 8X22 WAFER PHIL STZP (PKT 10)
25	884571	HANDLE DOOR CURVED SHORT
26	881160	SCREW 8X3/4 PAN PH ST ZP
NI	813701	BOOKLET U/C NZ/AUST/ASIA/UK
NI	479314	CARD WARRANTY REGISTRATION ALL PRODUCTS

CABINET COMPONENTS

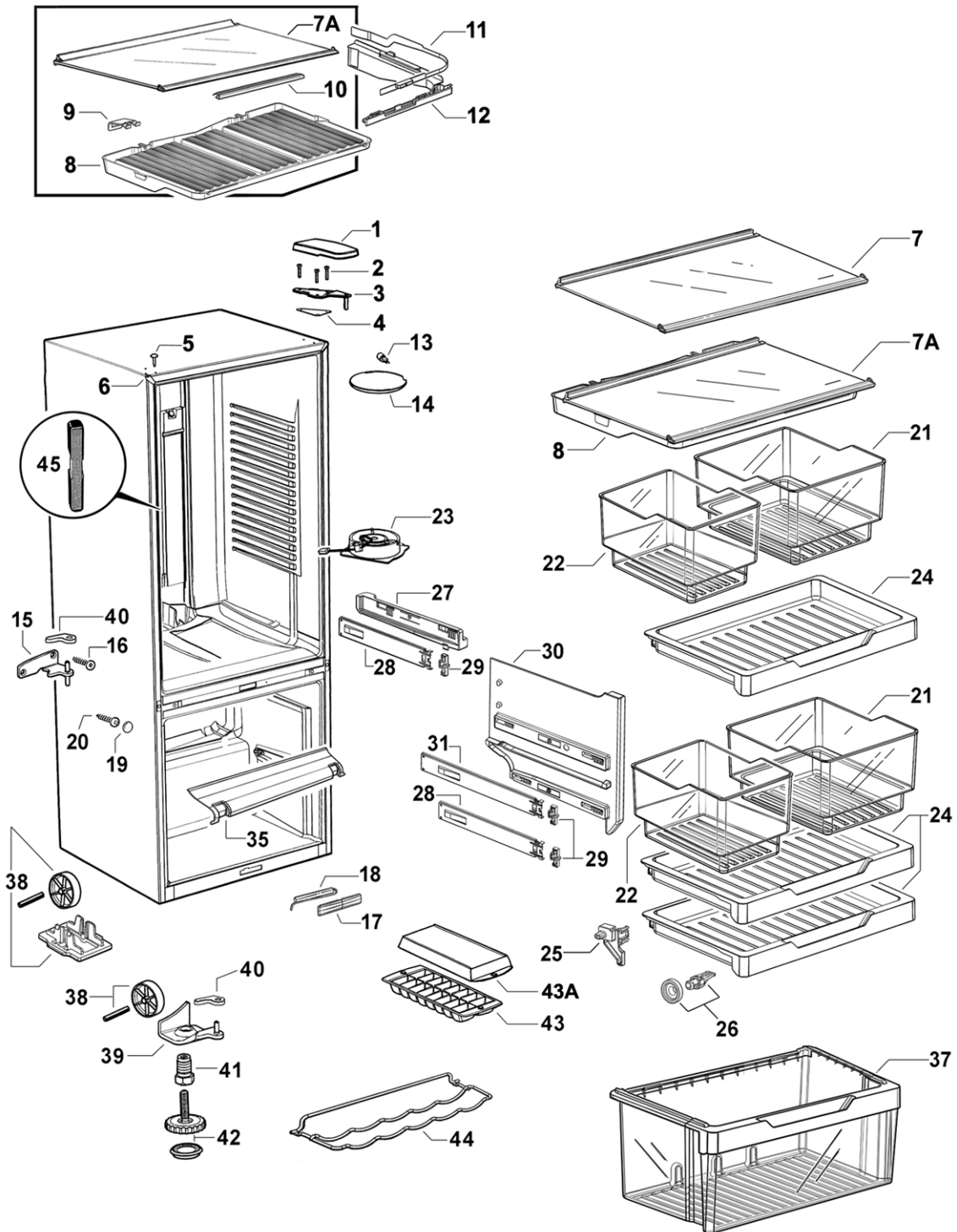


CABINET COMPONENTS

REF	PART	DESCRIPTION
1	883990	COVER TOP HINGE SILVER
2	SP0282P	SCREW MC M5X20 HEX PH MS ZNPL (PKT 10)
3	880526	BRACKET TOP HINGE ASSY
4	882355	GASKET TOP HINGE
5	883948	PLUG TAPPED HOLE SILVER
6	883951	TRIM CORNER RECESSED SILVER
7	881298	SHELF GLASS PC 680 ASSY (SATIN CHROME TRIM)
	<i>Includes 881261</i>	<i>PLUG REAR EXTRUSION RH</i>
	<i>Includes 881262</i>	<i>PLUG REAR EXTRUSION LH</i>
	<i>Includes 881302</i>	<i>PLUG FRT EXTRUSION RH 680/790</i>
	<i>Includes 881303</i>	<i>PLUG FRT EXTRUSION LH 680/790</i>
	<i>Includes</i>	<i>EXTRUSN CURVED, FRT GLASS SHELF SC 680</i>
	<i>Includes</i>	<i>EXTRUSN CURVED, REAR GLAS SHELF SC 680</i>
	<i>Includes</i>	<i>SHELF SAFETY GLASS PC 680</i>
7A	814070	SHELF GLASS HCL 680B ASSY (SATIN CHROME TRIM)
	<i>Includes 881261</i>	<i>PLUG REAR EXTRUSION RH</i>
	<i>Includes 881262</i>	<i>PLUG REAR EXTRUSION LH</i>
	<i>Includes 881268</i>	<i>BRACKET HCL SUPPORT B GLASS SHELF (2)</i>
	<i>Includes 881302</i>	<i>PLUG FRT EXTRUSION RH 680/790</i>
	<i>Includes 881303</i>	<i>PLUG FRT EXTRUSION LH 680/790</i>
	<i>Includes 836581</i>	<i>RETAINER HCL FRONT 680</i>
	<i>Includes</i>	<i>EXTRUSN CURVED, FRT GLASS SHELF SC 680</i>
	<i>Includes</i>	<i>EXTRUSN CURVED, REAR GLAS SHELF SC 680</i>
	<i>Includes</i>	<i>SHELF GLASS HCL 680B</i>
8	836573	LID HUMIDITY CONTROL 680B
9	881268	BRACKET HCL SUPPORT B GLASS SHELF
10	836581	RETAINER HCL FRONT 680
11	836631	SLIDE CONTROL HUMIDITY RH
	836633	SLIDE CONTROL HUMIDITY LH
12	836632	GUIDE CONTROL HUMIDITY RH
	836634	GUIDE CONTROL HUMIDITY LH
13	874017	LAMP HALOGEN PC
14	875318	COVER LAMP PC
15	881283	BRACKET CTR HINGE RH PLATED
16	880656P	SCREW 10GX25CSK SQ SS (PKT 10)
17	884011	COVER REED SWITCH ST4 SILVER
18	881223P	SWITCH REED FIELD FIX KIT ST4
19	883953	CAP SCREW CROSS RAIL SILVER
20	880655P	SCREW #10X12 AB #2 SQ ZN NP (PKT 10)
21	836523	BIN SMALL 680
22	836522	BIN SMALL
23	884518P	FAN & HOUSING PC ASSY
	<i>Includes</i>	<i>CONNECTOR IDC UP2 (2)</i>
	<i>Includes</i>	<i>LABEL WARNING 12 VOLT DC</i>
	<i>Includes</i>	<i>FAN & HOUSING PC ASSY</i>

Continued next page

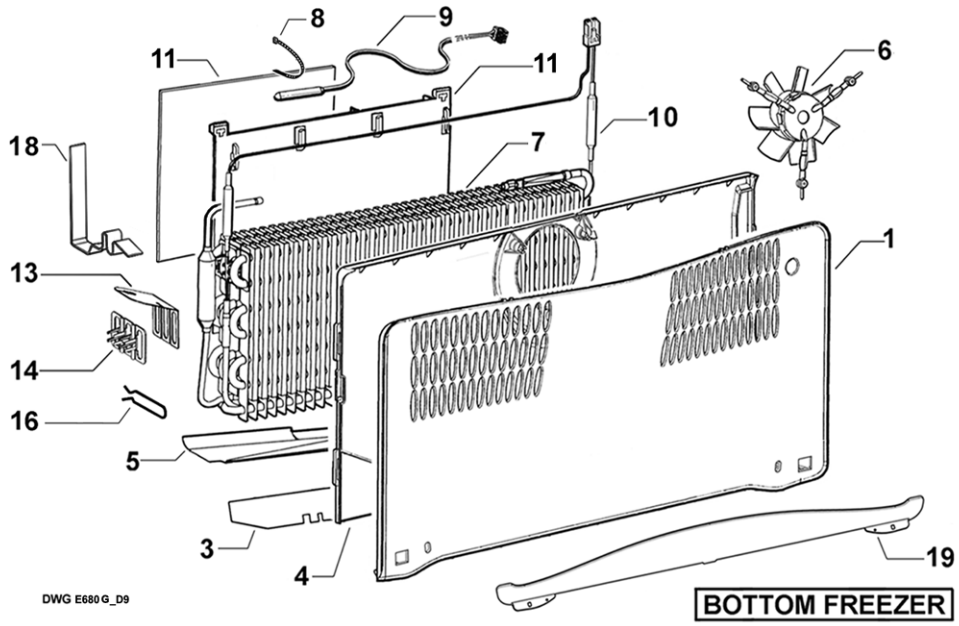
CABINET COMPONENTS



CABINET COMPONENTS

REF	PART	DESCRIPTION
24	836513	TRAY 680
25	836585	SKID TRAY RH
	836586	SKID TRAY LH
26	836517P	WHEEL & CHASSIS ASSEMBLY (PKT 2)
27	836808	RETAINER & SLIDE 680 RH ASSY
	<i>Includes</i>	<i>RETAINER SLIDE PC B RH</i>
	<i>Includes 836700</i>	<i>SLIDE 305 RH ASSEMBLY</i>
	<i>Includes 836520</i>	<i>CLIP SLIDE</i>
	836807	RETAINER & SLIDE 680 LH ASSY
	<i>Includes</i>	<i>RETAINER SLIDE PC B LH</i>
	<i>Includes 836701</i>	<i>SLIDE 305 LH ASSEMBLY</i>
	<i>Includes 836520</i>	<i>CLIP SLIDE</i>
28	836700	SLIDE 305 RH ASSEMBLY
	<i>Includes 836520</i>	<i>CLIP SLIDE</i>
	836701	SLIDE 305 LH ASSEMBLY
	<i>Includes 836520</i>	<i>CLIP SLIDE</i>
29	836520P	CLIP SLIDE (PKT 2)
30	836545	RETAINER SLIDE FC RH
	836546	RETAINER SLIDE FC LH
31	836702	SLIDE 350 RH ASSEMBLY
	<i>Includes 836520</i>	<i>CLIP SLIDE</i>
	836703	SLIDE 350 LH ASSEMBLY
	<i>Includes 836520</i>	<i>CLIP SLIDE</i>
35	836594	DUCT RETURN AIR FC 680
37	836660	BIN LARGE 680 ASSEMBLY
	<i>Includes</i>	<i>HANDLE BIN LARGE</i>
38	315090P	KIT WHEEL BRACKET CLIP
	<i>Includes</i>	<i>PIN ROLLER PLATED</i>
	<i>Includes</i>	<i>ROLLER FOOT FRONT</i>
	<i>Includes</i>	<i>CLIP WHEEL BRACKET</i>
39	881274	BRACKET BTTM HINGE RH ASSY PLATED
40	883988	CAP DOOR CLOSING HGE BRKT GY RH
41	880959	BOLT BTTM HINGE BRKT
42	880512	FOOT LEVELLING ASSEMBLY
	<i>Includes 880519</i>	<i>BASE LEVELLING FOOT</i>
43	874107	TRAY ICE BASE
43A	874108	TRAY ICE LID
44	NOT USED	
45	NOT USED	
JOINER KIT FOR SIDE BY SIDE CABINET CONNECTION		
Used for combining any of the the following 1695mm high cabinet models: N388 ,C450, E402B, E411T, E415H, E440T, E442B, E521T and E522B		
NI	813690	KIT JOINER SILVER

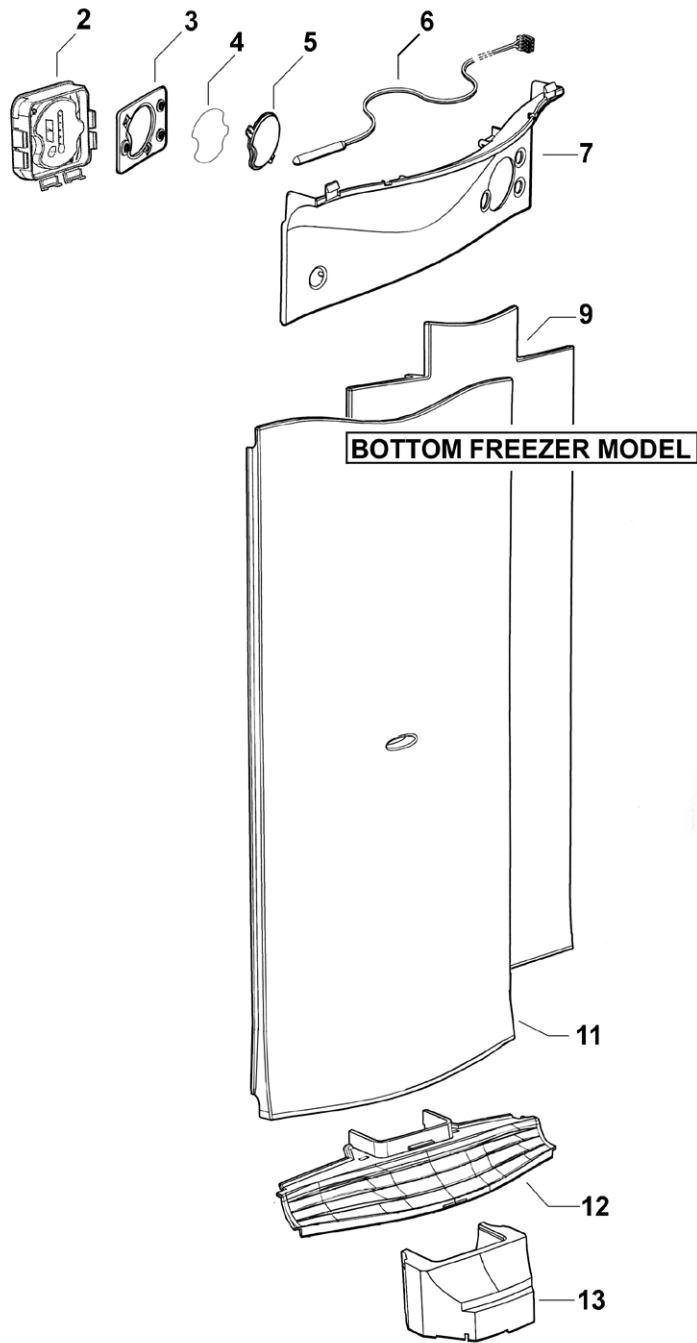
FAN, COVERS AND EVAPORATOR ASSEMBLIES



FAN, COVERS, & EVAPORATOR ASSEMBLIES

REF	PART	DESCRIPTION
1	878933	COVER FC FRONT E680 B MODEL
3	880691	SHEILD FC REAR COVER E680B
4		COVER FAN FC REAR 680 (Part of 306095P)
5	880637	SHIELD DRAIN HTR DEFROST 680B
6		FAN DC SUSPENDED FC ASSY (Part of 306095P)
	306095P	FAN FC KIT 680 SERIES B to C
	<i>Includes 883861</i>	<i>SHEILD FC COVER 680</i>
	<i>Includes</i>	<i>COVER FAN FC REAR 680</i>
	<i>Includes</i>	<i>CONNECTOR IDC UP2 (2)</i>
	<i>Includes</i>	<i>LABEL WARNING 12 VOLT DC</i>
	<i>Includes</i>	<i>FAN DC SUSPENDED FC ASSY</i>
7	881433P	EVAPORATOR SERV KIT 680 ST4 (DEFROST HEATER NOT INCLUDED)
8	900325	TIE PLASTIC 140MM
9	855203P	SENSOR KIT ASSY
	<i>Includes</i>	<i>HEATSHRINK 1/8" MW ADHESIVE LINED</i>
	<i>Includes</i>	<i>HARNESS SENSOR PC</i>
10	884509P	HEATER DEF & FUSE YELLOW LEAD 680 240V (EXTENDED HOT TAIL)
	<i>Includes 883349</i>	<i>CLIP DEFROST HEATER B MODEL EVAP (2)</i>
	<i>Includes 883350</i>	<i>CLIP DEFROST HEATER T MODEL EVAP (2)</i>
	<i>Includes 822156</i>	<i>TIE PLASTIC 100MM Y1.8R</i>
	<i>Includes 855305</i>	<i>HARNESS ADAPTOR DEFROST HEATER</i>
11	883992	CHASSIS EVAPORATOR KIT E635/680B MODEL
	<i>Includes 855299</i>	<i>CLIP HEATER 20MM EVAP FIN (2)</i>
	<i>Includes 880423</i>	<i>DEFLECTOR CHASSIS HTR 635/680 B</i>
	<i>Includes 883349</i>	<i>CLIP DEFROST HEATER B MODEL EVAP (2)</i>
	<i>Includes 883942</i>	<i>CHASSIS EVAPORATOR E635/680B MODEL</i>
13	880724	FLOW DEFLECTOR
14	871463	CLIP TUBE EVAP PLASTIC
16	855299	CLIP HEATER 20MM EVAP FIN (2)
17	880585	CLIP CHASSIS HEATER B MODEL
18	883349	CLIP DEFROST HEATER B MODEL EVAP
19	881512	DEFLECTOR AIR FLOW B MODEL
NI	883795	WIRE DEFROST HEATER

DISPLAY MODULE AND DUCT COVERS



DISPLAY MODULE AND DUCT COVERS

REF	PART	DESCRIPTION
2	881218P	MODULE DISPLAY – BC ST4
3	880779	GASKET DISPLAY MODULE
4	883448	INSERT GRAPHICS DISPLAY
5	883449	LENS CLEAR-DISPLAY MODULE
6	855203P	SENSOR KIT ASSY
	<i>Includes</i>	<i>HEATSHRINK 1/8" MW ADHESIVE LINED</i>
	<i>Includes</i>	<i>HARNESS SENSOR PC</i>
7	836764	COVER DUCT TOP PC B
8	900475P	SCREW 8X16.4MM SP PAN NIB ST (PKT 10)
9	873950	INSULATION COVER DUCT LONG B
10	880571	HEATER PCB LOW AMB T&H MODEL
11	881191	COVER DUCT B SGL SLOT LONG
12	813287	GRILLE PC RETURN AIR B MODEL
13	872833	INSULATION INSERT PID 635 B

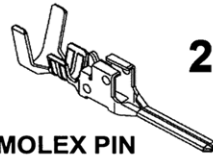
ACTIVE SMART ST4 TERMINALS PLUGS & SOCKETS

ACTIVE SMART STAGE 4

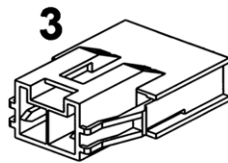
TERMINALS, PLUGS AND SOCKETS



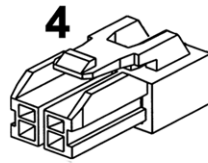
1
MOLEX SKT



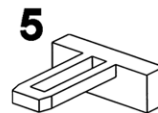
2
MOLEX PIN



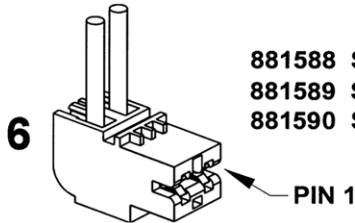
3
MOLEX CAP FEMALE



4
MOLEX PLUG MALE



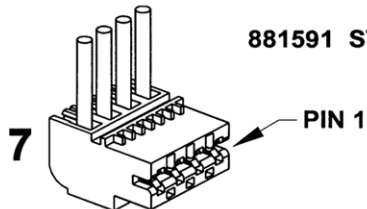
5
MOLEX RETAINER



- 881588 STOCKO 9290-02-AB01-000-960 (Mains cord)
- 881589 STOCKO 9290-02-BA01-000-960 (Defrost Heater)
- 881590 STOCKO 9290-02-EE01-000-960 (Run Capacitor)

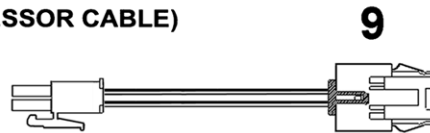
PIN 1

NOTE THAT IN THE PART NAMES OF THESE CONNECTORS, THE -02- REFERS TO IT BEING A 2 WAY CONNECTOR, AND THE -AB01- (FOR EXAMPLE) REFERS TO THE CODING OF THE CONNECTOR. STOCKO IS THE MANUFACTURER OF THESE CONNECTORS.

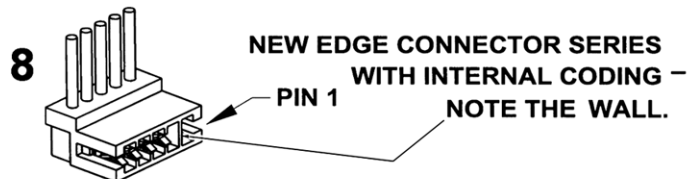


- 881591 STOCKO 9290-04-EF02-000-960
(COMPRESSOR CABLE)

PIN 1

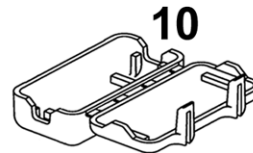


9
HARNESS ADAPTOR DEFROST HEATER



- NEW EDGE CONNECTOR SERIES
WITH INTERNAL CODING -
NOTE THE WALL.

PIN 1



10

NOTE: TO MINIMISE THE NUMBER OF SPARE PARTS THAT NEED TO BE CARRIED, THESE CODED CONNECTORS ARE TO BE REPLACED WITH THEIR UN-CODED EQUIVALENTS. FOR THE 3, 5 AND 6 WAY CONNECTORS USED ON STAGE 4 CABINETS

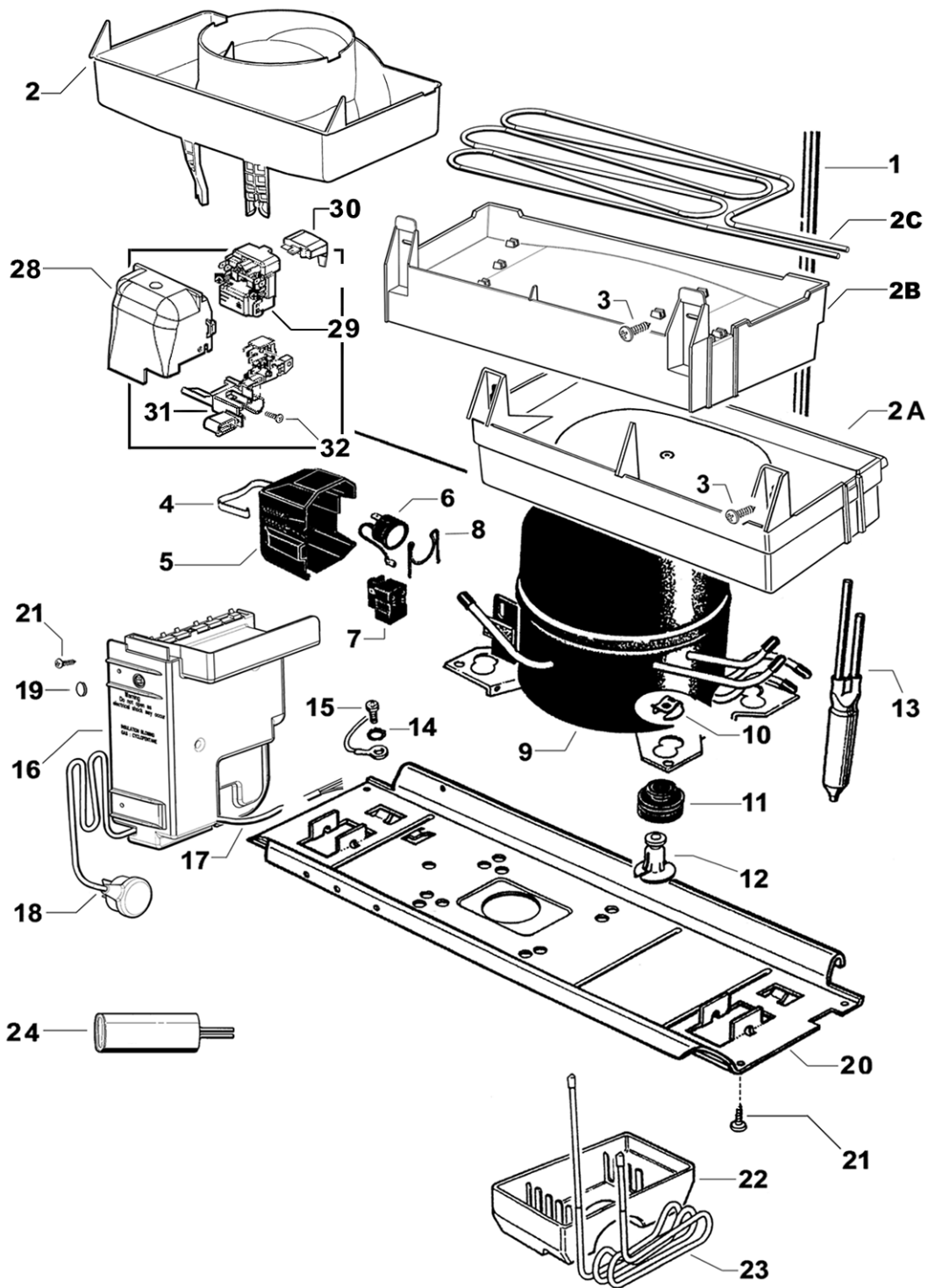
ACTIVE SMART ST4 TERMINALS PLUGS & SOCKETS

REF	PART	DESCRIPTION
1	881595	SOCKET 16-22AWG 50597-8100 MLX
	881596	SOCKET 20-26AWG 50598-8100 MLX
2	881597	PIN 16-22AWG 50599-8100 MLX
	881598	PIN 20-26AWG 50600-8100 MLX
3	881592	CAP FEMALE 51139-0200 MLX
4	881593	PLUG MALE 51138-0200 MLX
5	881594	RETAINER 51140-0205 MLX
6	881588	CONNECTOR RAST 9290-02-AB01
	881589	CONNECTOR RAST 9290-02-BA01
	881590	CONNECTOR RAST 9290-02-EE01
7	881591	CONNECTOR RAST 9290-04-EF02
8	873243	CONNECTOR RAST 7234-012-500
	873247	CONNECTOR RAST 7234-006-500
	873248	CONNECTOR RAST 7234-010-500
	873250	CONNECTOR RAST 7234-004-500
	873251	CONNECTOR RAST 7234-003-500
	873279	CONNECTOR RAST 7234-008-500
	881135	CONNECTOR RAST 7234-005-500
	881136	CONNECTOR RAST 7234-014-500
	881137	CONNECTOR RAST 7234-017-502
9	855305	HARNESS ADAPTOR DEFROST HEATER
10	884412	COVER PLUG MLX

NOTE: THE NUMBERS IN THE DESCRIPTION OF THE RAST CONNECTOR DENOTES THE NUMBER OF CONNECTIONS

EXAMPLE: 7234-017-502 =17 WAY CONNECTOR

COMPRESSOR, ANCILLARY COMPONENTS & CONTROL MODULE

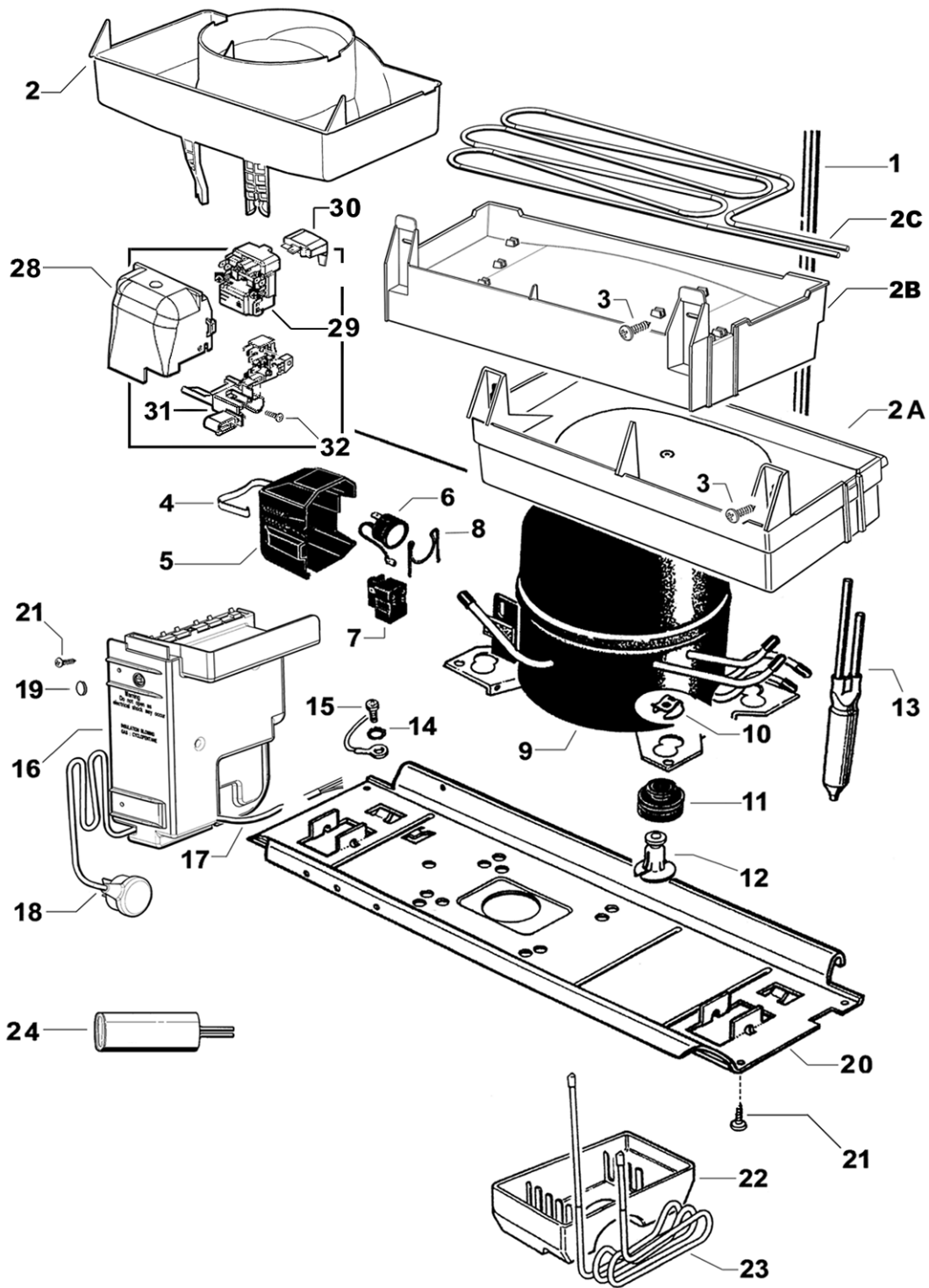


COMPRESSOR, ANCILLARY COMPONENTS & CONTROL MODULE

REF	PART	DESCRIPTION
1	873044	PANEL BACK & CONDENSER ASSY
2	813435	TRAY WATER EVAP TOP HAT
2A	NOT USED	
2B	NOT USED	
2C	NOT USED	
3	SP0201P	SCREW 8X12 PAN PH NIB (PKT 10)
5	NOT USED	
6	NOT USED	
7	NOT USED	
8	NOT USED	
9	207124P	COMPR MAT DGX7313TAY 240V 50HZ
	<i>Includes 207131</i>	RELAY PTC MAT M150MB3
	<i>Includes 207140</i>	O/LOAD MAT 5TM734LFBYY
	<i>Includes 207159</i>	CAPACITOR RUN 2.5uf 400VAC RAST5
	▶ <i>Includes 207169</i>	GROMMET COMPRESSOR MOUNTING 33M (4)
	<i>Includes 207173</i>	CAPACITOR START 45uf 400VAC (50mm x 116mm)
	<i>Includes 207174</i>	BRACKET HALF SADDLE 50mm
	<i>Includes 209078</i>	COVER PROTECTOR,
	<i>Includes 209673</i>	CLIP COVER 01-245233
	<i>Includes 502173</i>	FILTER DRIER 12 GR DUAL BRAZED
	▶ <i>Includes 813421</i>	PIN COMPRESSOR MOUNTING 33MM (4)
	<i>Includes 813435</i>	TRAY WATER EVAP TOP HAT
	<i>Includes 813393</i>	HARNESS COMPRESSOR 4 CORE DGX
	<i>Includes 855270</i>	CLIP FOOT COMPRESSOR
	<i>Includes 883201</i>	TUBE CU 4.76X155 DBLE SWAGE
	<i>Includes 901525</i>	SCREW #8X12 SP PAN NIB ST ZP (2)
	<i>Includes 813773</i>	INSTRUCTION SHEET DGX SERIES
▶ IMPORTANT:- MUST BE USED WITH MATSUSHITA DGX COMPRESSORS		
10	855270	CLIP FOOT COMPRESSOR
11	207169	GROMMET COMPRESSOR MOUNTING 33mm
12	813421	POST COMPRESSOR MOUNTING 33mm
13	502173P	FILTER DRIER 12 GR DUAL BRAZED
14	900101	WASHER LOCK NO 10 EXT SP ZP
15	900377	SCREW 8X32X8 TYPE 23 PAN PH ZP

Continued next page

COMPRESSOR, ANCILLARY COMPONENTS & CONTROL MODULE



COMPRESSOR, ANCILLARY COMPONENTS & CONTROL MODULE

REF	PART	DESCRIPTION
16	884519P	MODULE CONTROL 220-240V ST4.2 SP KIT
	<i>Includes 813212</i>	<i>INSTRUCTION SHEET ST4.2 CONTL MODULE KIT</i>
	<i>Includes 813236</i>	<i>INSTRUCTION SHEET ST4.2 DIAGNOSTIC</i>
	<i>Includes 884518</i>	<i>FAN & HOUSING PC ASSY (OVER MOULDED FAN)</i>
	<i>Includes</i>	<i>MODULE CONTROL 220-240V ST4.2</i>
17	813393	HARNESS COMPRESSOR 4 CORE DGX
18	881401	CABLE SUPPLY UK ST4.2
19	875861	PLUG PLASTIC LT GREY
20	878488	TRAY COMP MOUNTING 680
21	900475P	SCREW 8X16 SP PAN NIB STZP PH (PKT 10)
22	NOT USED	
23	NOT USED	
24	207159	CAPACITOR RUN 2.5Uf 400v RAST5 (25mm X 51mm) MATSUSHITA DGX COMPRESSOR 240V 50HZ
NI	207173	CAPACITOR START 45uf 400VAC (50mm x 116mm)
NI	207174	BRACKET HALF SADDLE 50mm
NI	881044	SCREW #8X22 WAFER PH STZP
28	209078	COVER PROTECTOR DGX COMPRESSOR
29	207131	RELAY PTC MAT 150MB3M24 DGX
30	207140	OVERLOAD MAT 734LFBYY DGX66 73
31	NOT USED	
32	NOT USED	
NI	874329	CABLE LEAD EARTH
NI	883875	TUBE SUCTION & CAPILLARY ASSEMBLY

NOTES

REFRIGERATION ABBREVIATION KEY

10W	10 WATTS
12V	12 VOLTS
BC	BUTTER CONDITIONER
BS	“B” SERIES CABINET
CH	CHARCOAL COLOUR
DC	DIRECT CURRENT
DK GY	DARK GREY
F&P	FISHER & PAYKEL
FC	FREEZER COMPARTMENT
HAN P/C	HANDLE POWDER COATED
HC	HUMIDITY COMPARTMENT
HCL	HUMIDITY CONTROL LID
HS	HOT STAMPED
LH	LEFT HAND
LHB	LEFT HAND BOTTOM
LHT	LEFT HAND TOP
LT GY	LIGHT GREY
M5	5 MILLIMETER
MD GY	MID GREY
MEPS	MINIMUM ENERGY PERFORMANCE STANDARDS
PC	PROVISION COMPARTMENT
PUSHIN	PUSHIN TYPE GASKET
RH	RIGHT HAND
RHB	RIGHT HAND BOTTOM
RHT	RIGHT HAND TOP
SA or S/STONE	SANDSTONE COLOUR
SATIN OR SC	SATIN CHROME FINISH
SL or SIL	SILVER
SML	SMALL
SS	STAINLESS STEEL
X/RAIL	CROSS RAIL
XH9	TYPE OF DESSICANT WITHIN A FILTER DRIER